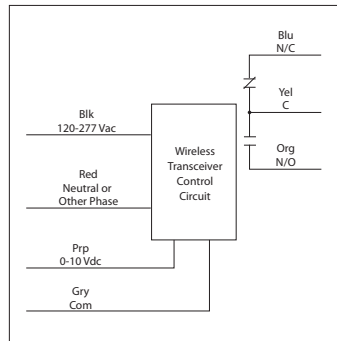
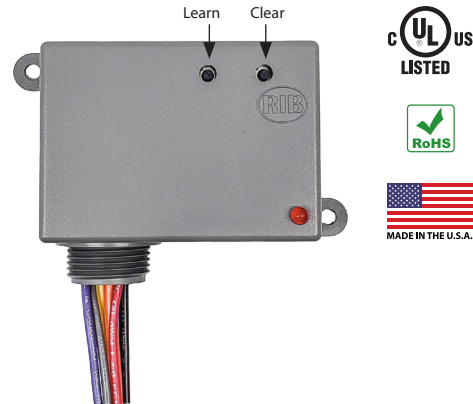


## FDLR20GV

Enclosed 902 MHz Wireless Relay Receiver/Repeater  
20 Amp SPDT, 120-277 Vac Power, with 0-10 Vdc Analog Output



### WIRELESS CONTROL RELAY



Relay has built-in repeater function.  
Relay receives signal from wireless switch transmitter and rebroadcasts the signal to the next relay receiver.

## Specifications

**# Relays & Contact Type:** One (1) SPDT Continuous Duty Coil  
**Expected Relay Life:** 10 million cycles minimum mechanical  
**Operating Temperature:** -30 to 140° F  
**Humidity Range:** 5 to 95% (noncondensing)  
**Red LED:** Relay Status / Learn Mode Status (Flashing)  
**Dimensions:** 2.30" x 3.20" x 1.80" with .75" NPT Nipple  
**Wires:** 16", 600V Rated  
**Approvals:** UL Listed, UL916, C-UL, RoHS,  
**Agency Compliance:** FCCID: SZV-TCM320U  
 IC: 5713A-TCM320U  
**Housing Rating:** UL Accepted for Use in Plenum, NEMA 1  
**Gold Flash:** No  
**Override Switch:** No  
**Frequency:** 902 MHz  
**Receiver Sensitivity:** -93 dBm typical  
**Conducted Power:** 5 mW typical  
**Built-in Switch Modes:** Alarm, Repeater, Delay, Dimming, Rocker, Momentary, and Toggle

**Contact Ratings:**  
 20 Amp Resistive @ 277 Vac  
 20 Amp Ballast @ 277 Vac (N/O)  
 10 Amp Ballast @ 277 Vac (N/C)  
 16 Amp Electronic Ballast @ 277 Vac (N/O)  
 10 Amp Tungsten @ 120 Vac (N/O)  
 770 VA Pilot Duty @ 120 Vac  
 1,110 VA Pilot Duty @ 277 Vac  
 2 HP @ 277 Vac  
 1 HP @ 120 Vac

**Power Input Ratings:**  
 39 mA max @ 120-277 Vac

**0-10 Vdc Output Ratings:**  
 10 mA Sourcing  
 50 mA Sinking

### Notes:

- Compatible with Enocean® 902 MHz Switches/Transmitters.
- Typical range: 50-150 ft.
- Open area transmission could be farther. Consult factory for more information.
- Repeater function only rebroadcasts original EnOcean® transmission. Up to two repeaters can be used.
- For setup instructions, see website for FDLR20GV Application Manual